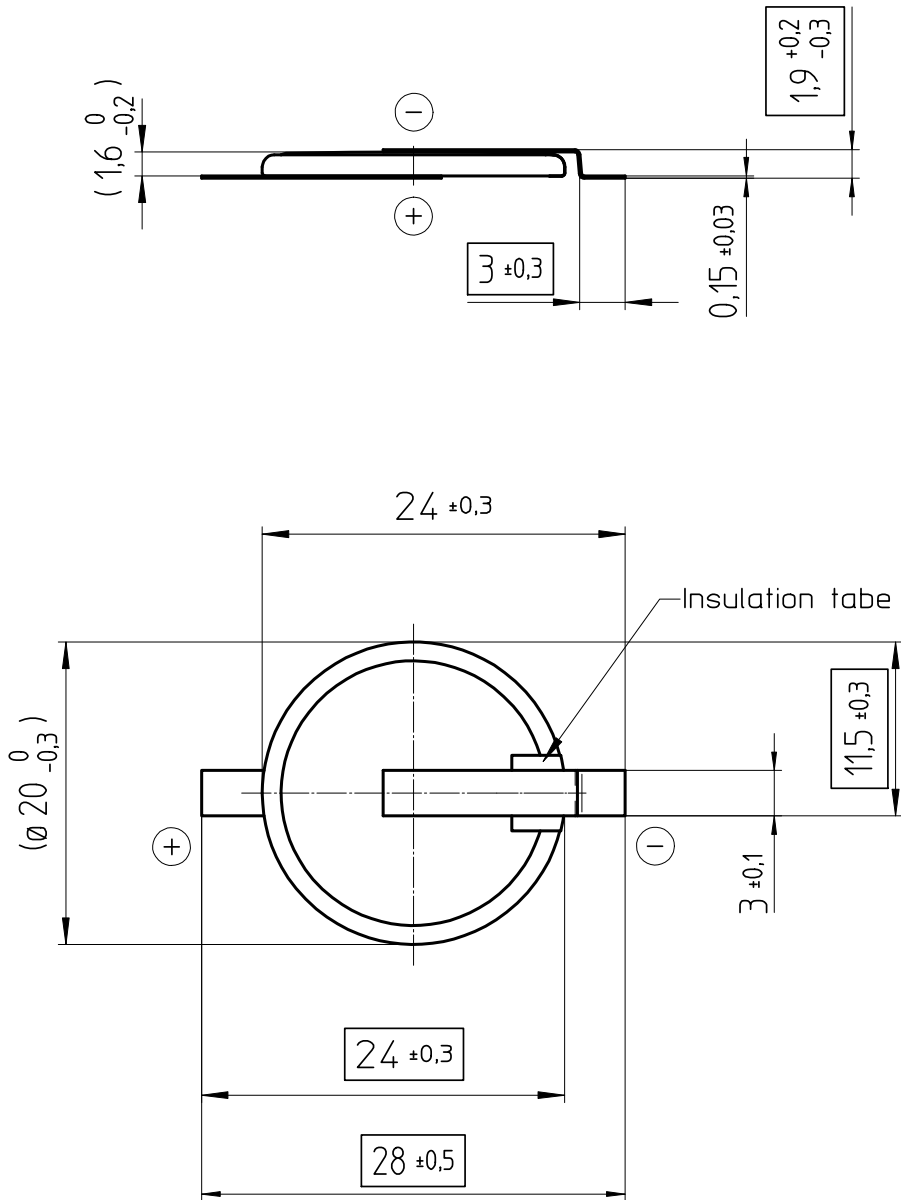


- Samples can deviate in the execution from the serie.



- Dimensions and tolerances can be specified only after the testing of the devices for the mass production definitely

Tab material: Isotan (54%Cu,44%Ni,Mn)

All framed values will be used for dimension checking !

The Products of Renata SA are neither designed nor authorized for use in certain areas of application of environment. For further details we refer to our webpage: www.renata.com/downloads/restriction_of_use

Rev.	①	19.02.16	PWu	Rev.	⊙	.	.				Customer's Approval		
Rev.	②	16.09.19	SRi	Rev.	⊙	.	.				Date		
Rev.	⊙	.	.	Rev.	⊙	.	.				Signature		
Titel:								Scale	2:1	Drawn	13.11.07	SRi	
CR2016 MFR SM										Checked	16.09.19	HSn	
										Approved	16.09.19	MDi	
				CH-4452 Itingen Switzerland				3.9208.4-2					